

General

DGS-XXX voltage control relays are designed to block three-phase loads malfunctions arising from network.

Usage of Device and Working Principle

Make the connections of the device in accordance with connection scheme.

To Adjust High Voltage Set Value checking the value of display on the left, adjust the desirable value of (U>) button. Once you move the button, set value will be displayed.

To Adjust Low Voltage Set Value checking the value of display on the left, adjust the desirable value of (U<) button.

With the help of the button, the adjustment is displayed on the left display. 4 seconds later, displays show voltage values.

Once the device is energized, firstly the pre-adjusted set values are displayed and 2 seconds later voltage values appear. When R, S and T phases are between the adjusted voltage values, relay (Out) led is lighted up and contact gives outlet (NO) 3. If any between phase-phase is over high voltage set value, it holds for 3 seconds and then relay led is out and high voltage error led (U>) is lighted up. Whichever between phase-phase voltage value is high, its display blinks. It does not give contact outlet (NC) 1. When voltage values declines 5V below set value, it holds for adjusted (t) time. Relay led is lighted up, high voltage error led becomes out and contact gives outlet (NO) 3.

If any between phase-phase declines below low voltage set value, it holds for adjusted (t) time and then relay led becomes out, low voltage error led (U<) is lighted up. Contact does not give outlet (NC) 1. Whichever between phase-phase voltage value is low, its display blinks. When voltage values inclines 5V above set value, it holds for adjusted (t) time. Relay led is lighted up, high voltage error led becomes out and contact gives outlet (NO) 3.

Phase range is available on DGS-04F/DGS-04PF. When phase range is reversed, contact does not give outlet (NC)1 and phase range (X1) led is lighted up.

Maintenance

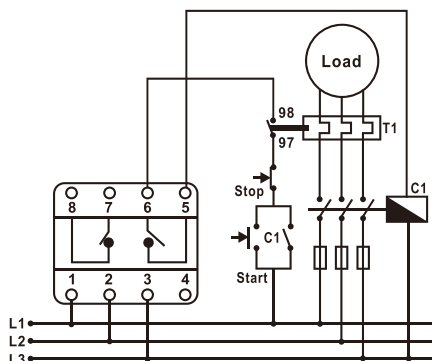
Switch off the device and release from connections. Clean the trunk of device with a swab. Don't use any conductor or chemical might damage the device. Make sure device works after cleaning.

Warnings

Please use the device according to the manual.
Don't use the device in wet.
Include a switch and circuit breaker in the assembly.
Put the switch and circuit breaker nearby the device, operator can reach easily.
Mark the switch and circuit breaker as releasing connection for device.

Technical Specifications:

Operating Voltage(Un).....: 3 x 380V AC
Operating Frequency.....: 50/60 Hz.
Operating Power.....: <6VA
Operating Temperature...: -20°C.....+55°C
High Voltage (U>).....: 400V - 460V
Low Voltage (U<).....: 230V - 360V DGS-03=95V(fixed)
Waiting (t).....: 0,1sec - 10sec.
Display.....: 3x 3digit 9mm display and leds
Measurement Precision: ±%1
Connection Type.....: Terminal connection
Contact.....: 5A/250V AC (Resistive Load)
Cable Diameter.....: 2,5mm²
Weight.....: Max. 220gr.
Mounting.....: Vertical assembled in the panel
or assembled on the din rail.
Operating Altitude.....: <2000meter

Connection diagram**Dimensions for DGS-XXX**