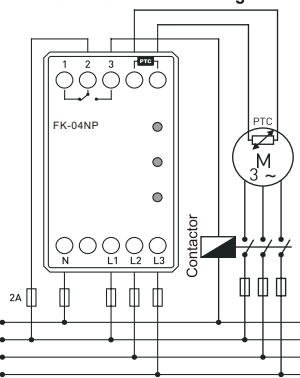


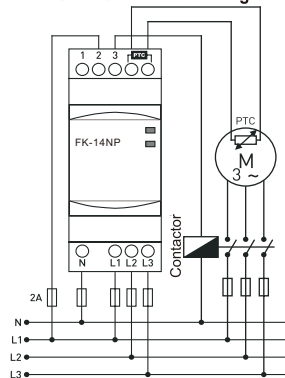
General

phase failure relays are designed to avoid any failure of three phase motors (which works phase sequence) caused from network.

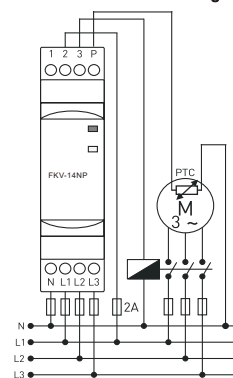
FK-04N/04NP/ Connection Diagram



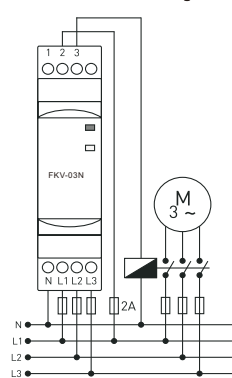
FK-14N/14NP/ Connection Diagram



FKV-14N/14NP/ Connection Diagram



FKV-03N/ Connection Diagram



Usage of Device and Working Principle

Make the connections according to the diagram.

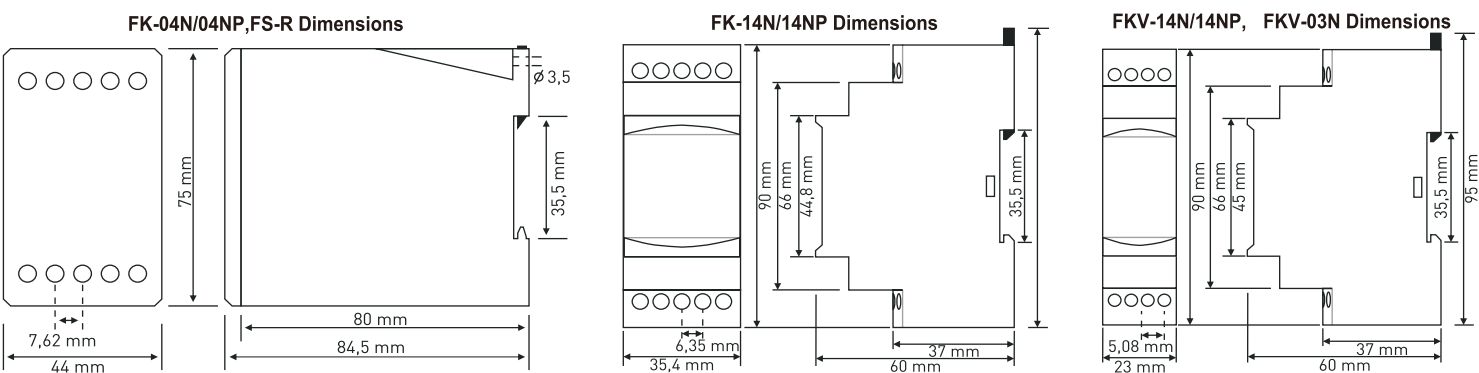
- Normal Operation (No Error):** When the phases are at normal values and the phase sequence is correct, the relay gets activated and the OUT LED is on.
- Asymmetry Error:** When any phase goes out of the normal range, the ERR LED flashes (at 2 second intervals), the OUT LED is off and the relay deactivated.
- Phase sequence reverse (Phase Sequence Error):** The ERR LED lights steady, the OUT LED is off and the relay gets deactivated.
- PTC Errpr:** In models with PTC, when the temperature of the motor exceeds the rated value, the ERR LED is flashes (at 1 second intervals), the OUT LED is off and the relay deactivates. When the temperature value returns to the nominal values, the relay gets activated again and the OUT LED lights up.

- Relay is Activated:** 2 (COM) and 3 (NC) short circuit, 1 (NC) and 2 (COM) open circuit.
- Relay is De-activated:** 2 (COM) and 1 (NC) short circuit, 3 (NC) and 2 (COM) open circuit.

FKV-03N : There is no ERR LED on this device. In case of Asymmetry or Phase Sequence Errors, OUT LED goes out and the relay gets deactivated.

Maintenance

Switch off the device and release from connections. Clean the trunk of device with a swab. Don't use any conductor or chemical might damage the device. Make sure device works after cleaning.



Warnings

- Please use the device according to the manual.
- Don't use the device in wet. Include a switch and circuit breaker in the assembly.
- Put the switch and circuit breaker nearby the device, operator can reach easily.
- Mark the switch and circuit breaker as releasing connection for device.

Technical Specifications

- Operating Volt.(Un) : 3 x 380V AC + Neutral
- Operating Frequency : 50/60 Hz.
- Operating Power : <6VA
- Operating Temp. : -20°C.....+55°C
- Asymmetry : ~%30 (FKV-03N : ~%40)
- Display : OUT & ERR LEDs
PWR, OUT & ERR LEDs (FK-04N/04NP & FS-R)
ON & OUT LEDs (AFKV-03N)
- Connection Type : Terminal connection.
- Weight : Max. 110gr.
- Contact : 5A/250V AC (Resistive Load)
- Mounting : Assembled on the din rail.
- Operating Altitude : <2000m.
- Cable Diameter : 1.5mm²