

General

Voltage Contyroller Relays are designed to the failures of network voltage for the devices which have sensitive working voltage.

Using Manual and Working Principle

Make the connections according to the diagram.Set the device according to the required electrical charge.When the power is on, If the voltage is normal, the relay output indicator lights up and the relay output contact (NO) 3 is closed. When the voltage fails, after the set delay time, the relay output indicator goes out and the relay output contact (NC) 1 is closed. When the phase sequence is wrong,GK-04F type relay cannot work.

GK-04F: High-Low voltage and time adjustable, High-Low voltage and phase sequence and phase loss protection.

GK-04: High-Low voltage and time adjustable, High-Low voltage and phase loss protection.

GK-03: High voltage and time adjustable, High voltage protection.

GK-02: Low voltage and time adjustable, Low voltage protection.

Maintenance

Switch off the device and release from connections. clean the trunk of device with a swab. Don't use any conductor or chemical might damage the device. make sure device works after cleaning.

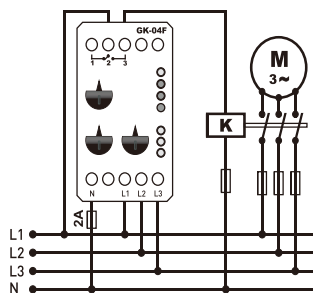
Warnings

- Please use the device according to the manual.
- Don't use the device in wet.
- Include a switch and circuit breaker in the assembly.
- Put the switch and circuit breaker nearby the device, operator can reach easily.
- Mark the switch and circuit breaker as releasing connection for device.

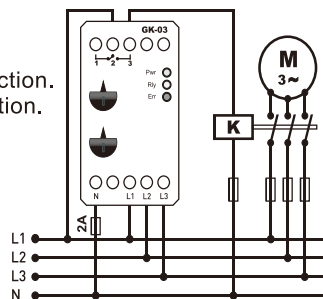
Technical Specification:

- Working Voltage.....: 3x380V AC, 220V AC(GK-01)
- Working Frequency.....: 50/60 Hz.
- High Voltage.....: 400V - 460V AC, 230V - 270V AC (GK-01)
- Low Voltage.....: 260V - 360V AC, 95V AC (GK-03)
140V - 210V AC (GK-01)
- Waiting.....: 0,1sec. - 10sec.
- Working Power.....: <6VA
- Working Temperature.: -20°C.....+55°C
- Display.....: Power led, Contact led, Error led
- Connection Diagrams.: Vertical assembled in the panel or assembled on the din rail.
- Weight.....: 0,210Kg.
- Contact.....: 5A 250V AC Resistive Load
- Working Altitude.....: <2000m
- Cable Diameter.....: 2,5mm²

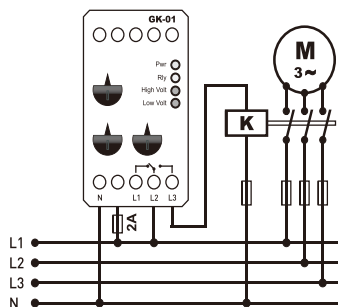
Connection diagram for GK-04/04F



Connection diagram for GK-02/03



Connection diagram for GK-01



Dimensions for GK-XX

