

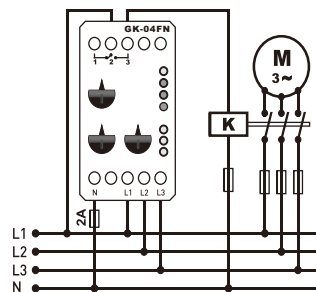
General

Voltage Contyroller Relays are designed to avoid the failures of network voltage for the devices which have sensitive working voltage.

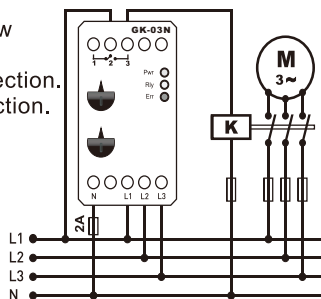
Using Manual and Working Principle

Make the connections according to the diagram. Set the device according to the required electrical charge. When the power is on, If the voltage is normal, the relay output indicator lights up and the relay output contact (NO) 3 is closed. When the voltage fails, after the set delay time, the relay output indicator goes out and the relay output contact (NC) 1 is closed. When the phase sequence is wrong, GK-04FN type relay cannot work.

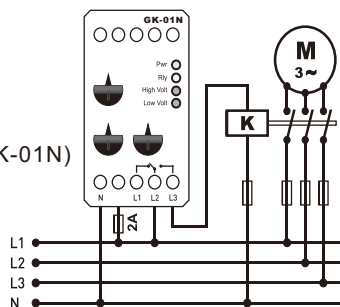
Connection diagram for



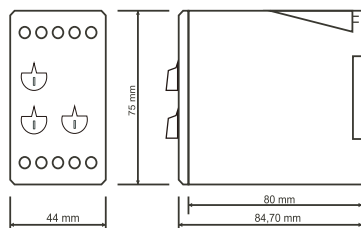
Connection diagram for GK-02N/03N



Connection diagram for GK-01N



Dimensions for GK-XX



Maintenance

Switch off the device and release from connections. clean the trunk of device with a swab. Don't use any conductor or chemical might damage the device. make sure device works after cleaning.

Warnings

- Please use the device according to the manual.
- Don't use the device in wet.
- Include a switch and circuit breaker in the assembly.
- Put the switch and circuit breaker nearby the device, operator can reach easily.
- Mark the switch and circuit breaker as releasing connection for device.

Technical Specification:

- Working Voltage.....: 3x380V AC With Neutral, 220V AC (GK-01N)
- Working Frequency.....: 50/60 Hz.
- High Voltage.....: 400V - 460V AC, 230V - 270V AC (GK-01N)
- Low Voltage.....: 260V - 360V AC, 95V AC (GK-03)
140V - 210V AC (GK-01)
- Waiting.....: 0,1sec. - 10sec.
- Working Power.....: <6VA
- Working Temperature.: -20°C.....+55°C
- Display.....: Power led, Contact led, Error led
- Connection Diagrams.: Vertical assembled in the panel or assembled on the din rail.
- Weight.....: 0,210Kg.
- Contact.....: 5A 250V AC Resistive Load
- Working Altitude.....: <2000m
- Cable Diameter.....: 2,5mm²