

General

DRV-XX digital timer is designed to be use wherever time dependent control is required.

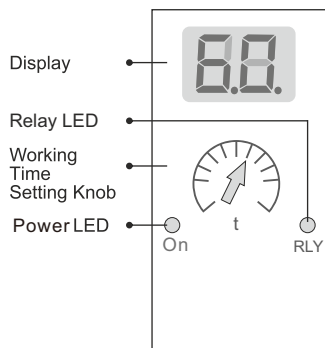
Usage and Working Principle of the Device

Display: Displayed here while setting the time and counting down the set time. If the operating time is set in minutes, the rightmost point of the display flashes while the device is counting the time.

t Knob: To set the working time value, move the knob to the desired value. When setting the time, the set time is displayed on the screen. (If the time is changed while the device is counting time, the device continues to count the new time set.)

ON LED: This LED turns on when the device powered.

RLY LED: This LED turns on when the device energized the relay.



Maintenance

Switch off the device and release from connections. clean the trunk of device with a swab. Don't use any conductor or chemical might damage the device. make sure device works after cleaning.

Warnings

Please use the device according to the manual.

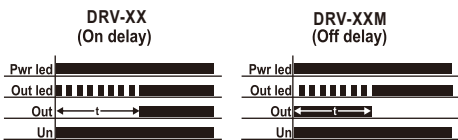
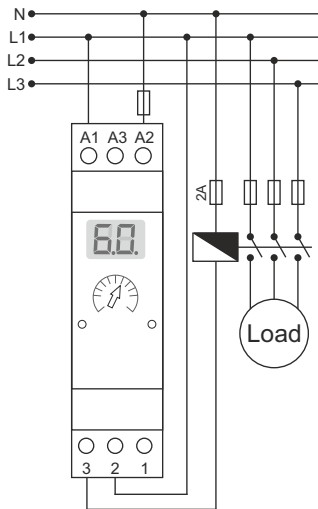
Don't use the device in wet.

Include a switch and circuit breaker in the assembly.

Put the switch and circuit breaker nearby the device, operator can reach easily.

Mark the switch and circuit breaker as releasing connection for device.

Connection Diagram



Technical Specifications

Operating Voltage (A1-A2) : 110V or 230V AC 50/60Hz.

Operating Voltage (A2-A3) : 24V AC/DC

Operating Power : <6VA

Operating Temperature : -20°C.....+55°C

Working Time Range (t) : 0,0sec. - 99 hour.

Display : 1x2 LED Display, 2x LEDs.

Connection Type : Assembled on the din rail.

Weight : 220gr.

Contact : 5A 250V AC Resistive Load

Operating Altitude : <2000m

Cable Diameter : 2,5mm²

Dimensions for DRV

