

General

Designed to monitorize current of electrical charge of any system.

Usage of Device and Working Principle

Make the connections according to the diagram. Make the connections of current transformers used for ampermeter before the electrical charge which required to measure in the system.

Current transformers don't sense the current of electrical charge which connected before them. Put max 5A charge for SDM-A36, SDM-A48, SDM-A72, SDM-A96 types. Otherwise, device might be damaged or might give error. Push "menu" button when the power is on. Set the current transformer ratio by "up"- "down" buttons and re-push "menu" to record your setting. You can see the current of system.

Current transformers which used for direct ampermeters are in the same box with device and current ratio is already fixed, in this case, there is no menu for record.

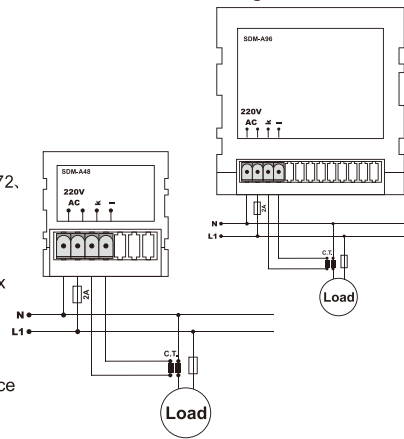
Maintenance

Switch off the device and release from connections. Clean the trunk of device with a swab. Don't use any conductor or chemical might damage the device. Make sure device works after cleaning.

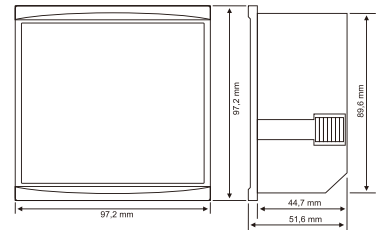
Warnings

- Please use the device according to the manual.
- Don't use the device in wet.
- Include a switch and circuit breaker in the assembly.
- Put the switch and circuit breaker nearby the device, operator can reach easily.
- Mark the switch and circuit breaker as releasing connection for device.

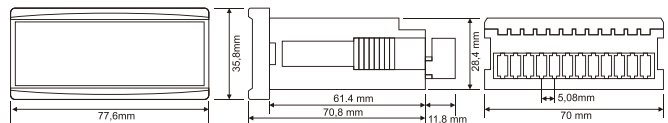
Connection diagram



Dimensions for SDM-A96 / SDM-A96D / SDM-A209



Dimensions for SDM-A36 / SDM-A36D / SDM-A203



Technical Specifications:

Operating Voltage(Un):...: 150V - 270V AC

Operating Frequency.....: 50/60 Hz.

Operating Power.....: <4VA

Operating Temperature...: -20°C.....+55°C

Measurement Range.....: 100mA - 5.5A(SDM-A36 / SDM-A48 / SDM-A72 / SDM-A96)

1A - 120A (SDM-A36D / SDM-A48D / SDM-A72D / SDM-A96D)

2A - 200A (SDM-A203 / SDM-A204 / SDM-A207 / SDM-A209)

Measurement Precision.: ±1%

Display.....: 20mm(96),14mm(72) ve 9mm(36 and 48) display

Connection Type.....: Plug-in terminal

Cable Diameter.....: 1,5mm²

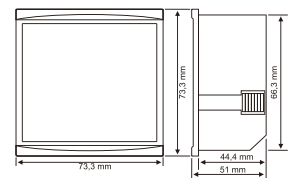
Weight.....: Max. 220gr.

Panel Hole Sizes.....: 91x91mm(96), 68x68mm(72),
46x46mm(48) and 31x72mm(36)

Mounting.....: Panel front mounted

Operating Altitude.....: <2000meter

Dimensions for SDM-A72 / SDM-A72D / SDM-A207



Dimensions for SDM-A48 / SDM-A48D / SDM-A204

