

General

Star Delta Relay is designed to control three phase motors in the first run.

Usage of Device and Working Principle

Make connections according to the diagram. You can set working time between 1sec-30sec. When power is on, star relay pulls and star relay switches on. Device waits for adjusted star working time and waits for adjusted waiting time. (1msec-500msec). In this position, there is no output contact and star relay led switches off. After waiting time delta relay pulls and delta relay switches on. Till power is off, device keeps same.

Maintenance

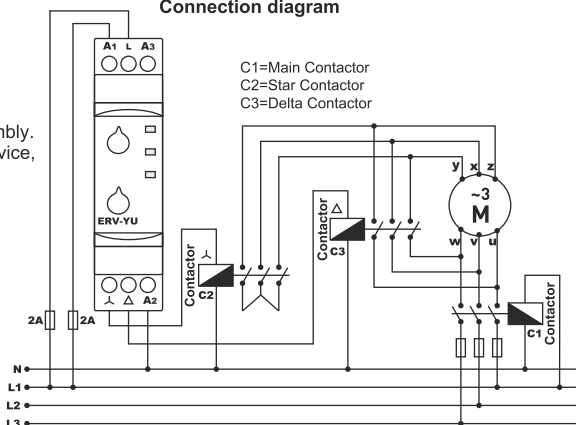
Switch off the device and release from connections. Clean the trunk of device with a swab. Don't use any conductor or chemical might damage the device. Make sure device works after cleaning.



Warnings

- Please use the device according to the manual.
- Don't use the device in wet.
- Include a switch and circuit breaker in the assembly.
- Put the switch and circuit breaker nearby the device, operator can reach easily.
- Mark the switch and circuit breaker as releasing connection for device.

Connection diagram



Technical Specifications:

- Operating Voltage(Un): 150V - 260V AC
- Operating Frequency: 50/60 Hz.
- Operating Power: <6VA
- Operating Temperature: -20°C.....+55°C
- Working(star): 0, 1sec. - 30sec.
- Waiting(off): 1msec. - 500msec.
- Display: On led, star led and delta led.
- Connection Type: Terminal connection
- Weight: Max. 110gr.
- Contact: 5A/250V AC (Resistive Load)
- Mounting: Assembled on the din rail
- Operating Altitude: <2000meter
- Cable Diameter: 2,5mm²

Dimensions

